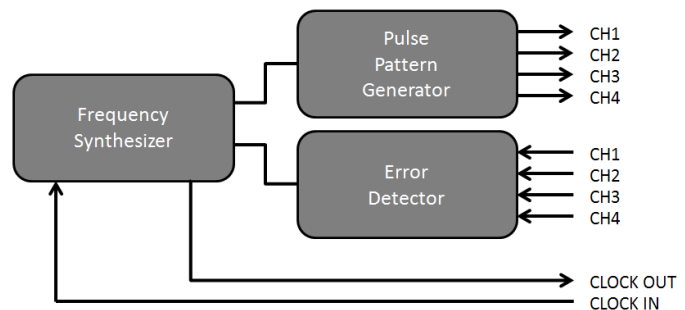
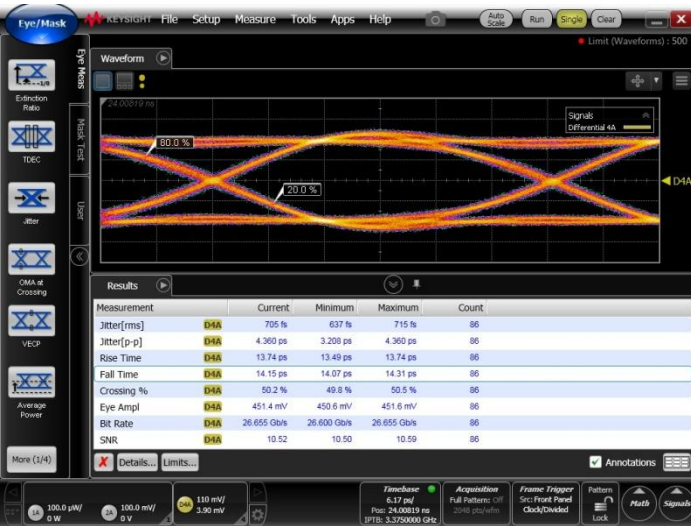


# 2904 PATTERN GENERATOR AND ERROR DETECTOR PRODUCT BRIEF



## Key Features

- Four channel NRZ PPG and ED
- 12.3-14.75 and 24.6-29.5 Gb/s
- Typical J<sub>RMS</sub> of 1 ps and J<sub>PP</sub> of 6 ps
- PRBS 2<sup>7</sup>, 9, 15, 23, 31
- Internal clock synthesizer
- PPM offset control
- Adjustable clock output
- External clock input
- TX level 200 to 1100 mV<sub>PPDIFF</sub>
- TX Pre and Post emphasis
- TX squelch
- TX 40 bit programmable fixed pattern
- TX Error insertion
- TX and RX polarity inversion
- RX Loss of signal indicator
- RX Eye monitor
- USB 2.0 controlled
- API command set
- Stand alone configuration available
- Small size 216w x 60h x 140d mm
- Integrated cooling fan
- 1 year warranty

The 2904 is a high performance, flexible and cost effective four channel Pulse Pattern Generator and Error Detector that can operate from 12.3-14.75 and 24.6-29.5 Gb/s. It is also a standalone Bit Error Rate test solution that incorporates an internal full rate clock synthesizer.

Its small size allows it to be placed close to the Device Under Test, it can also be placed further away using the TX driver pre and post emphasis controls features to compensate for cable and interconnect losses. It also has a non destructive, integrated eye outline capture feature along with a quick eye height and width measurement capability.

The 2904 was designed to characterize high speed digital links during the engineering, manufacturing or installation phases of a project. Such applications could include the testing of IC's, optical components, transceivers, copper cables, back planes and interconnects. The 2904 can be used for compliance testing of Ethernet, Fiber Channel, Infiniband, PCIE, SONET and proprietary link standards.